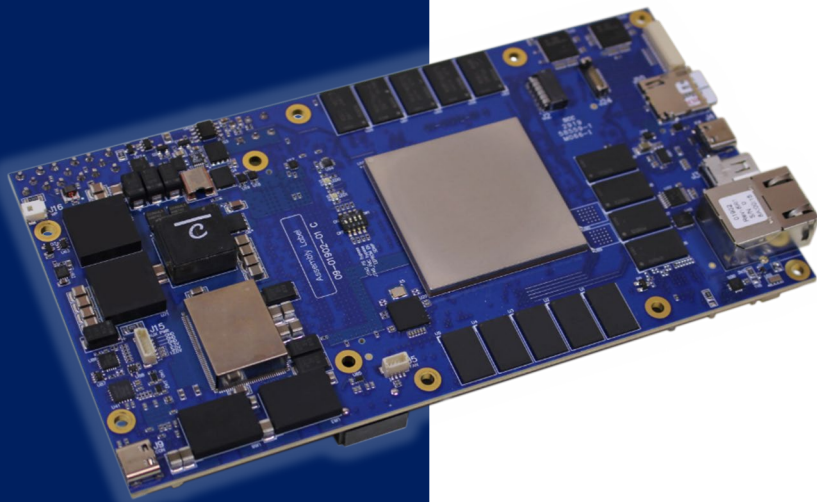


SCORPION

DYNAMIC RF PROCESSING PLATFORM

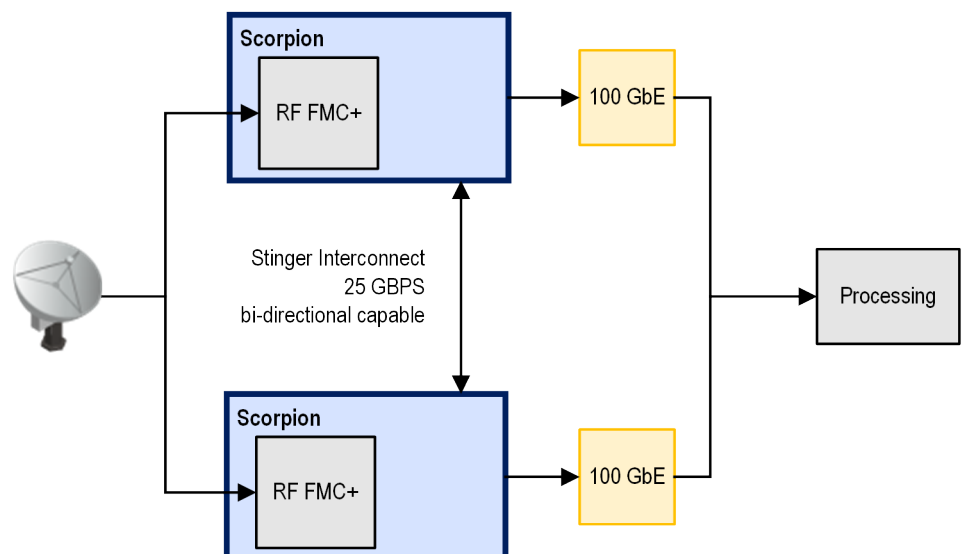


- FMC+ connector for next-generation RF front ends
- 100-Gb Ethernet for high-speed network integration
- 4x4 lane peripheral component interconnect express (PCIe) custom interface for attaching nonvolatile memory express (NVMe) SSDs or other high-speed devices
- AMD Zynq Ultrascale+ MPSoC: enables Linux-managed display port, USB 3.0, SATA, and 1 GbE
- 10-GB FPGA-attached double-data rate 4 (DDR4) for signal processing and data buffering

DIGITIZATION AND PROCESSING WITH MORE CHANNELS, MORE BANDWIDTH, AND MORE SAMPLES PER SECOND

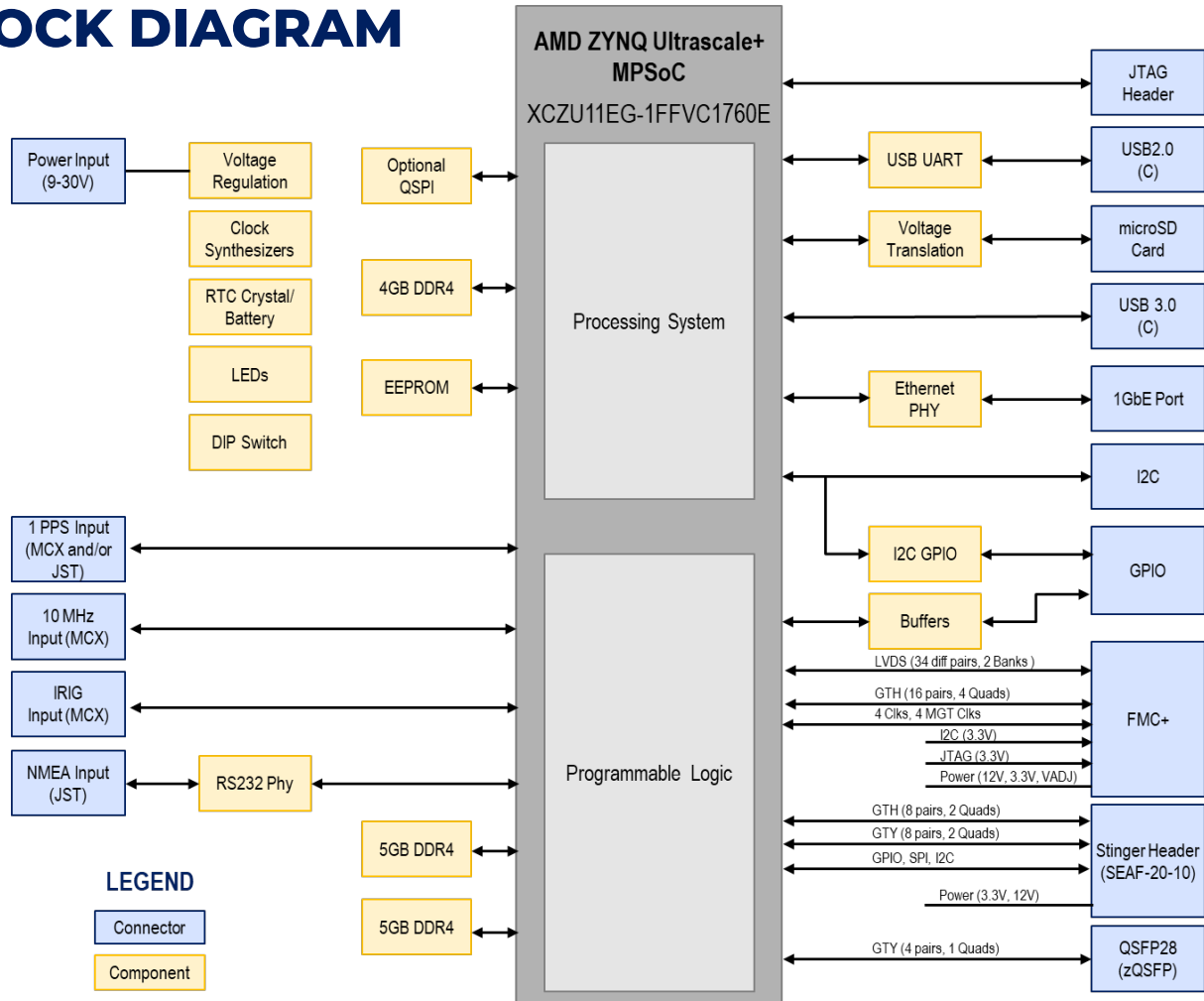
- Flexible digital signal processing (DSP) system designed to operate in multiple configurations and environments, including rack-mounted chassis, portable systems, and bench-top enclosures
- Built around the Zynq Ultrascale+ MPSoC with an embedded quad-core Cortex-A53 ARM processor
- Can record 4.8 GBPS (analogous to recording the content of a classic DVD every second)

WIDEBAND CROSS-POLE COMBINER



SCORPION

BLOCK DIAGRAM



SPECIFICATIONS

GENERAL

- RRC part number: SCORP-ZU11EG-1E-01
- AMD Zynq Ultrascale+ MPSoC: XCZU11EG-1F1517E
- 4-GB DDR4 attached to ARM Core processors
- Two 5-GB DDR4 banks attached to the FPGA fabric
- MicroSD
- QSPI NAND Flash

I/O

- NMEA, IRIG, and 10-MHz timing inputs
- USB 3.0/2.0 (USB-C)
- Display port
- 1 GbE
- 10 GbE/40 GbE/100 GbE (QSFPz)
- SATA (PS attached)
- 16 GPIO
- Input voltage: 9V–30V

ADDRESS

101 N. Wilmot Rd., Ste. 101
Tucson, AZ 85711

ORDER LINE

520.519.3131
sales@rincon.com

TECH SUPPORT

520.519.3132
tech-line@rincon.com

FAX/WEB

520.519.3120
www.rincon.com

INFORMATION SUBJECT TO CHANGE WITHOUT NOTICE.
PRODUCTS ARE SUBJECT TO THE RESTRICTIONS OF THE ARMS EXPORT CONTROL ACT.
VERSION 1.0.

RINCON
RESEARCH
EMPLOYEE OWNED