

## **xSDR PRODUCT FAMILY** EXTREME SOFTWARE-DEFINED RADIOS



- Use LPFE base card with mix-and-match I/O cards to support diverse applications
  - High-rate RF-to-packets collect via 1GbE or 10GbE with 10GBASE-T daughter card
  - F1/F2 coherent relays
  - Demod-remod systems
  - Unattended, autonomous SIGNIT
- Compatible with REDHAWK, X-Midas, and GNU Radio
- Very low SWaP
- High-rate, high-order modulations include: FSK (2, 4, 8), BPSK, QPSK, SQPSK, 8PSK, QAM16 – QAM1024
- Accepts external time/frequency standards for geo-capable time-tagging
- Local data logging to microSD card or a USB disk

**PROVIDING INCREDIBLE DSP CAPABILITY IN A MISSION-READY LOW SWAP PLATFORM**, the xSDR is a versatile, reconfigurable, cost-effective DSP solution. The family includes the LPFE base card and RFXR and IFXR mezzanine cards.

**LPFE** Base card with a Zynq 7030, 7035, or 7045 FPGA/ARM SoC. Can be used without a mezzanine card for standalone applications.

**RFXR** 2x2 MIMO RF transceiver based on the Analog Devices AD9361. Tunable from 70 MHz to 6000 MHz with up to 56 MHz signal bandwidth. The RF front-end has been carefully engineered to achieve high performance without the need for external filters or LNAs.

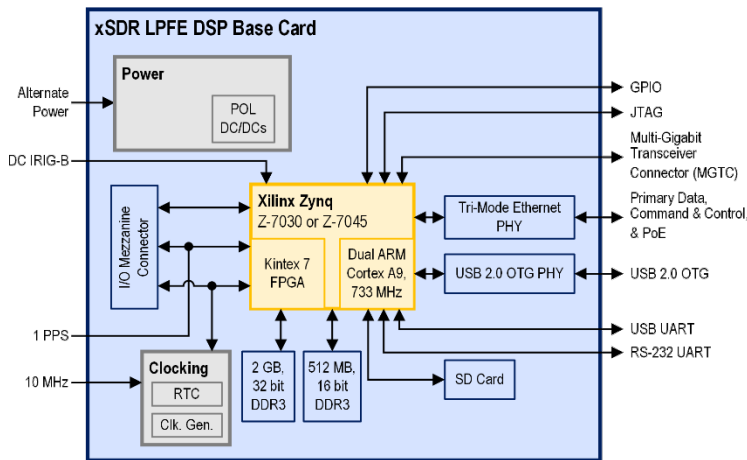
**IFXR** High-performance dual IF transceiver: 14 bit, 500 MSPS ADCs, 16 bit, 615 MSPS DACs. Card includes filters and amplifiers to simplify interfacing with external receivers and antennas.

**FOR MISSION SUCCESS**, we design our xSDR products to meet rigorous specifications, including:

- Wide input power range: 9 VDC to 57 VDC or PoE Type 2
- Write-protection controls for all non-volatile memory
- Flexible boot-options: over microSD card, NFS, RAM-disc, etc.
- Rugged mechanical design provides excellent shielding and is easy to cool
- Accurate and precise time-tagging with external 1 PPS, NMEA-0183, DC IRIG-B, NTP, and 10 MHz frequency reference. Careful circuit design and unique firmware let us provide nanosecond-accurate time tags regardless of sample rate.

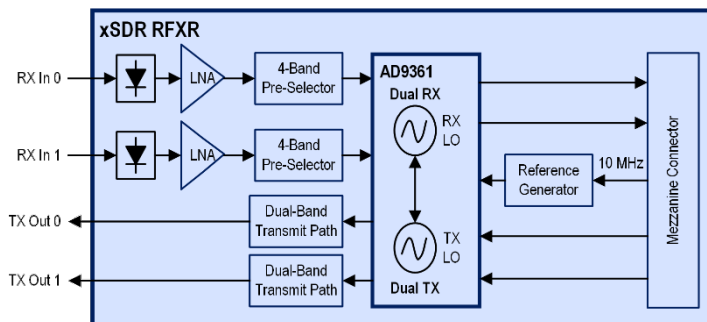
**xSDR**

## xSDR LPFE DSP BASECARD



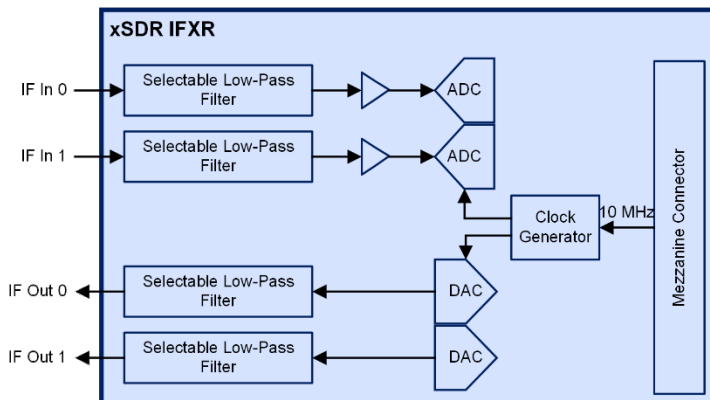
LPFE is a compact Zynq-based system that enables signal collection and processing in a standalone package. The Zynq SoC contains a Kintex-7 FPGA and dual-core ARM Cortex-A9 processor to process data without a host server or laptop. The embedded Linux APIs, file system, and control interfaces are common across all our products.

## xSDR RFXR 70 MHZ TO 6 GHZ MIMO TRANSCEIVER



RFXR provides low-power RF capability for the xSDR family.

## xSDR IFXR DUAL ADC AND DAC



IFXR provides high resolution ADCs and DACs for IF digitization and direct-sampling applications, from HF to 1 GHz.

## BASECARD

- **SoC:** Xilinx Zynq Z7045 standard, Z7030 and Z7035 also available
- **Memory:** DDR3-1066, 2 GByte on FPGA, 512 Mbyte on ARM
- **Peripherals:** 10/100/1000 Base-T Ethernet, USB 2.0 OTG, UARTs: USB and RS-232, 10GBASE-T (requires additional interface card)
- **Dimensions:** 5.26" x 2.32" (with connectors)
- **Weight:** 2.96 oz (84 g)

## RFXR

- **Tuning Range:** 70 MHz to 6 GHz
- **Gain Adj. Range:** 1 dB to 60 dB, 1 dB steps
- **Noise Figure:** 5 dB to 7 dB (typ.)
- **Preselector:** 4-band RX
- **IF Bandwidth:** 250 KHz to 56 MHz (run-time configurable)
- **Sample Rate:** 0.25 MSPS to 61.44 MSPS (I and Q)
- **ADC/DAC Resolution:** 12 bit
- **TX Power (CW):** +4 dBm (max), 0 dBm (typ.), -4 dBm (min)
- **Phase Noise (1 kHz to 1 MHz):** 0.11° at 100 MHz, 0.26° at 1 GHz, 0.52° at 2.5 GHz, 1.3° at 6 GHz (accepts external LO)
- **Two-Tone SFDR:** >72 dB (typ.)
- **I/Q Image & DC Cancellation:** >80 dBc (typ.)
- **Dimensions:** 3.34" x 1.83" x 0.58" (84.7 mm x 46.4 mm x 14.7 mm) (with connectors)
- **Weight:** 1.94 oz (55 g)

## IFXR

- **ADC:** Dual, 14 bit
- **Input Bandwidth (-3 dB):** Filter bypassed: 100 kHz to 1.0 GHz, With LPF: 205 MHz
- **Two-Tone SFDR:** >80 dB (typ.)
- **DAC:** Dual, 16 bit, 10 MSPS to 615 MSPS
- **Max RF Output Frequency:** 500 MHz with 2x interpolation
- **Dimensions:** 3.34" x 1.83" x 0.58" (84.7 mm x 46.4 mm x 14.7 mm) (with connectors)
- **Weight:** 1.94 oz (55 g)

**RINCON**  
**RESEARCH**  
EMPLOYEE OWNED

<b>ADDRESS</b>	<b>ORDER LINE</b>	<b>TECH SUPPORT</b>	<b>FAX/WEB</b>
101 N. Wilmot Rd., Ste. 101 Tucson, AZ 85711	520.519.3131 sales@rincon.com	520.519.3132 tech-line@rincon.com	520.519.3120 www.rincon.com